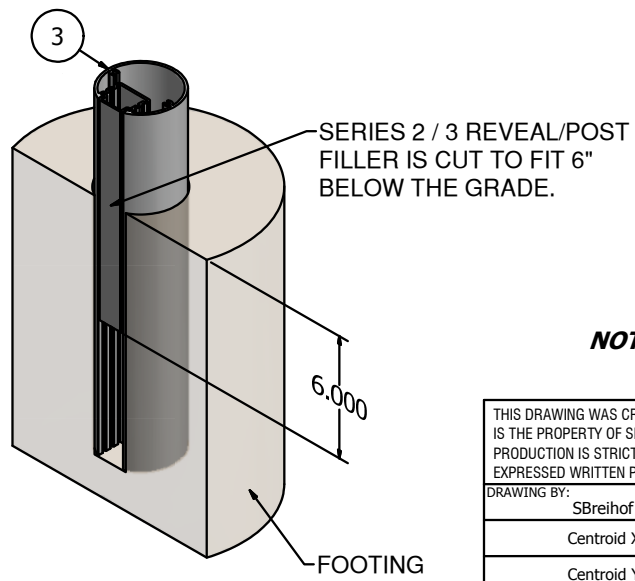
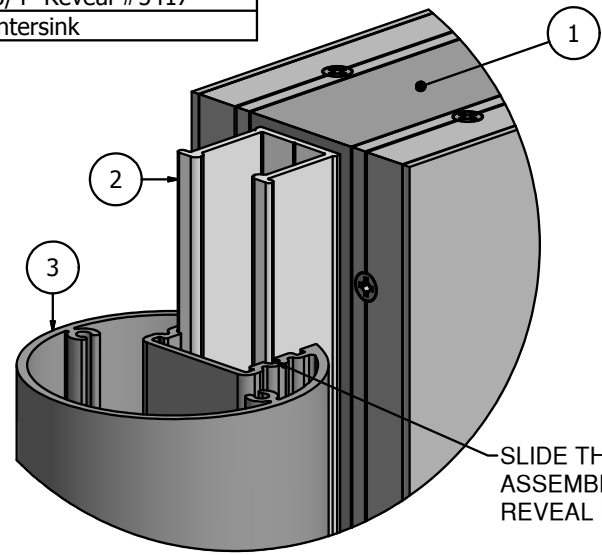
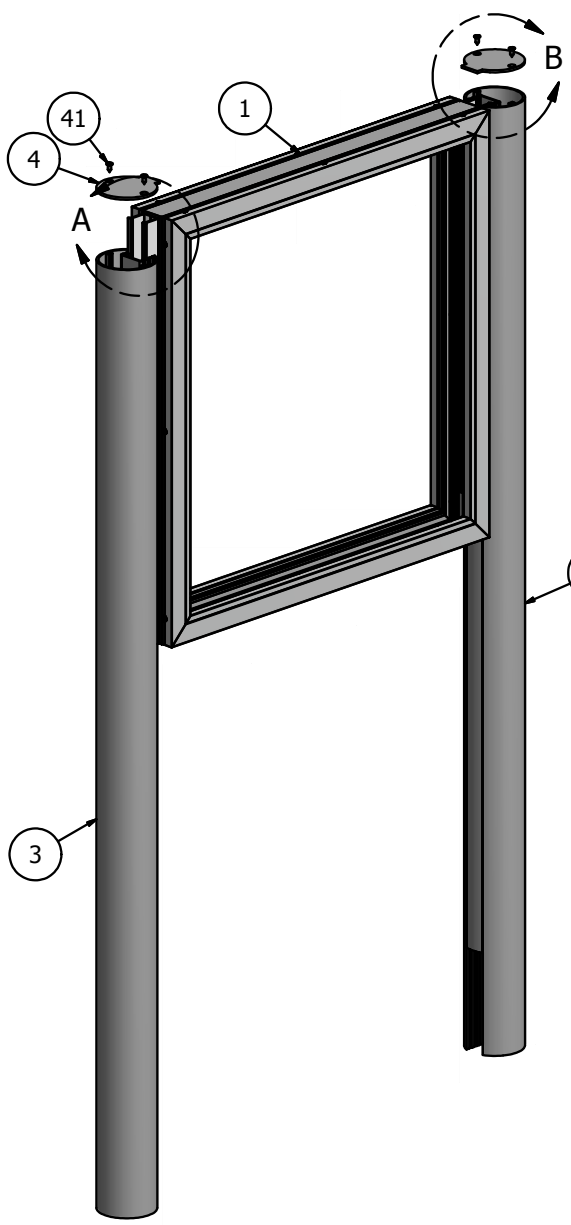
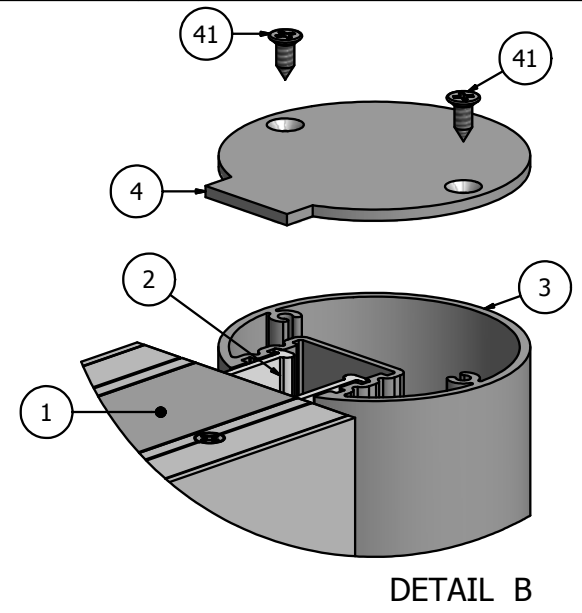


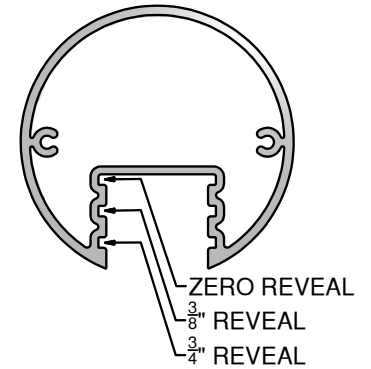
PARTS LIST			
ITEM	PART #	DESCRIPTION	NOTES
1	K1290/93	Series 3 Access Body/Frameless Cover	Assembly
2	1200	Series 2/3 Reveal	Attaches to the Body
3	K1237	Series 3 Round Post	Assembly
4	Post Cap	Series 3 Round Post Cap	Zero Reveal #5415, 3/8" Reveal #5416, 3/4" Reveal #5417
41	5040	Cap Screw	#10 countersink



SLIDE THE BODY/CABINET ASSEMBLY INTO THE DESIRED REVEAL POSITION.



REVEAL SETTING OPTIONS



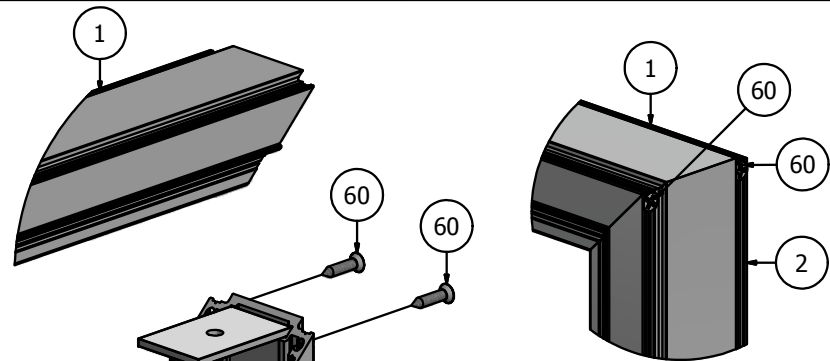
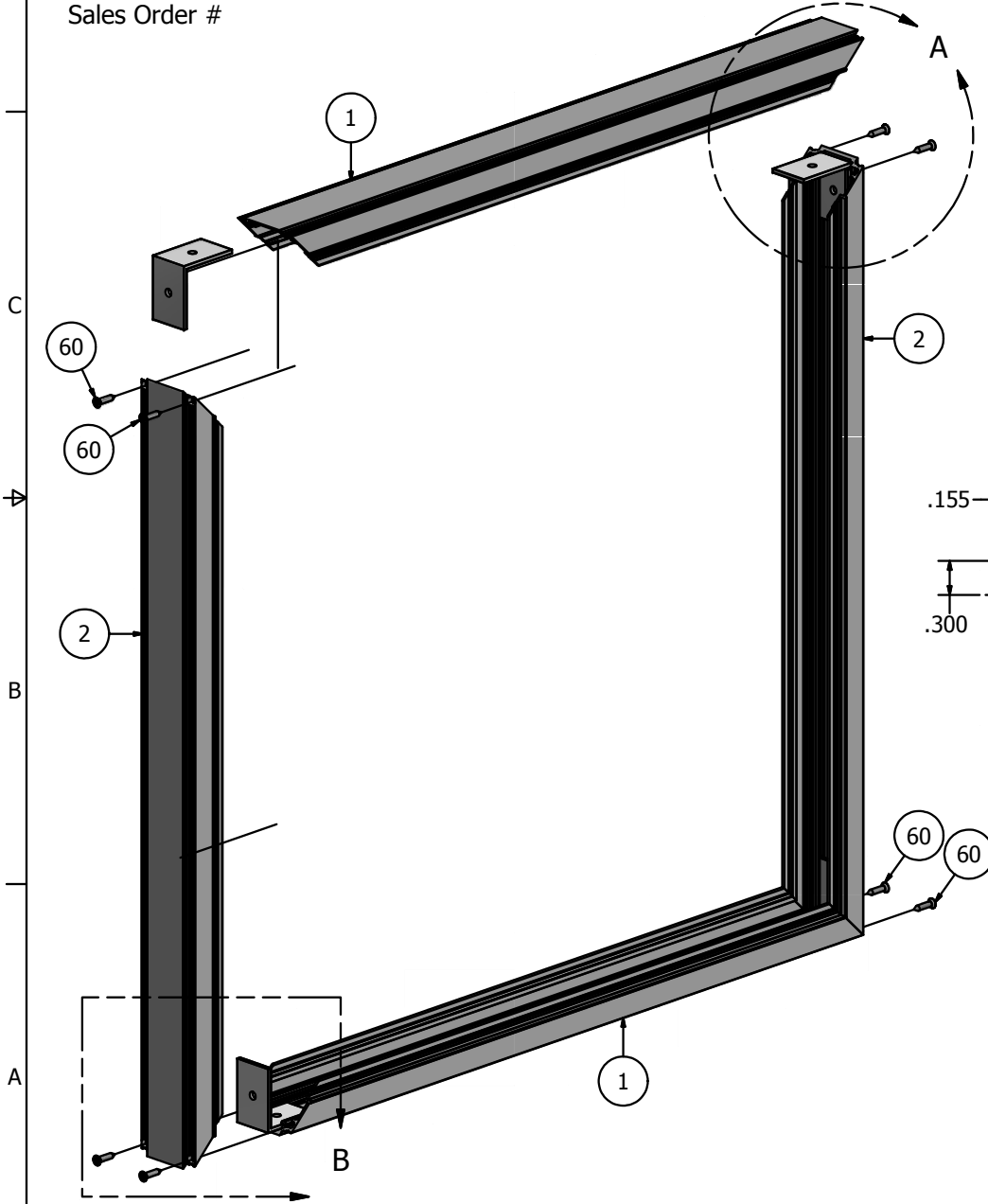
NOTE: PRE-CUT KITS ARE NOT PRE-DRILLED.
(Holes shown in this drawing are for reference only. Drilling of pilot holes are to be done by fabricator.)

DRAWING BY: SBreihof		4/29/2013	SignComp
Centroid X:	0.000 in	TITLE	
Centroid Y:	0.000 in	Series 3 Access Body - Frameless Cover - Series 3 Round Post - Assembly	
Principal Moments Ix:	0.000 in^4	PART NO	1290-93-37
Principal Moments Iy:	0.000 in^4	REV	
Section Modulus Ix:	0.000 in^3	SHEET 1 OF 1	
Section Modulus Iy:	0.000 in^3		

Ship To:
Sales Order #

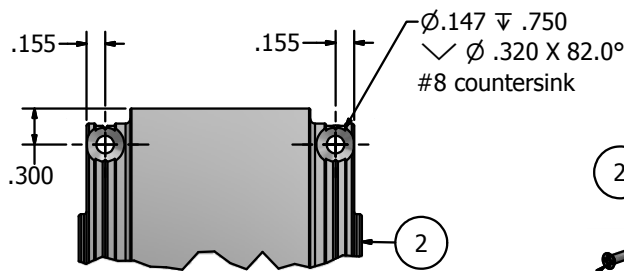
PARTS LIST			
ITEM	PART#	DESCRIPTION	NOTES
1	1290	Series 3 Access Body	Top & Bottom
2	1290	Series 3 Access Body	Sides
60	5241	Access Body Corner Screw	See Hole Detail
6	5339	Series 3 Access Body Corner Angle	One (1) per body corner

Ship To:
Sales Order #

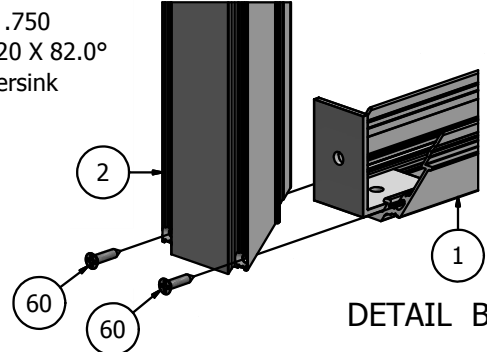


DETAIL A-1

DETAIL A-2



HOLE DETAIL
DRILLED BY OTHER



DETAIL B

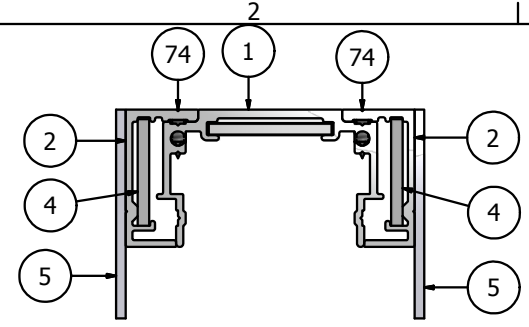
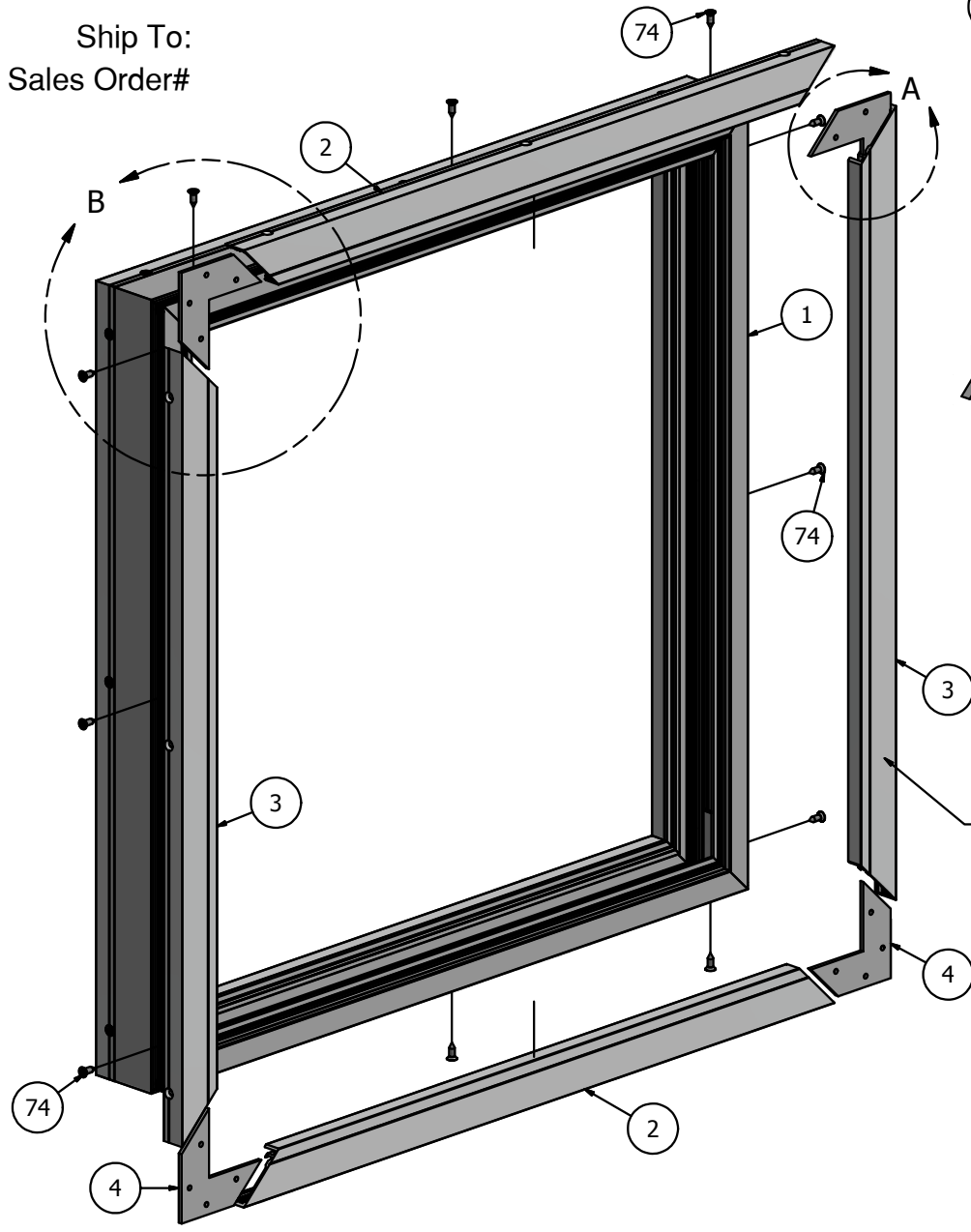
NOTE: PRE-CUT KITS ARE NOT PRE-DRILLED.
(Holes shown in this drawing are for reference only.
Drilling of pilot holes are to be done by fabricator.)

THIS DRAWING WAS CREATED AT NO CHARGE TO ASSIST YOU IN VISUALIZING OUR PROPOSAL. THE DRAWING HEREIN IS THE PROPERTY OF SIGNCOMP. PERMISSION TO COPY OR REVISE THIS DRAWING OR TO USE THIS DRAWING FOR PRODUCTION IS STRICTLY PROHIBITED AND CAN ONLY BE COPIED, REVISED OR USED FOR PRODUCTION WITH THE EXPRESSED WRITTEN PERMISSION OF SIGNCOMP.

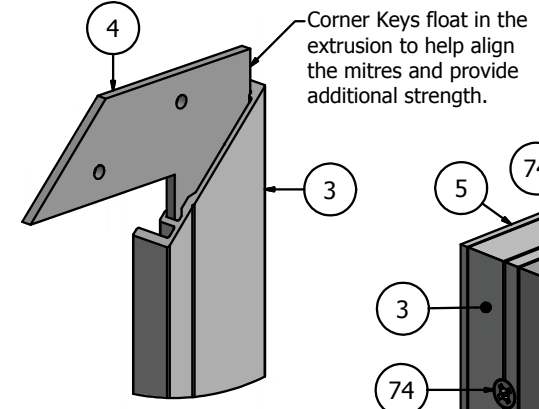
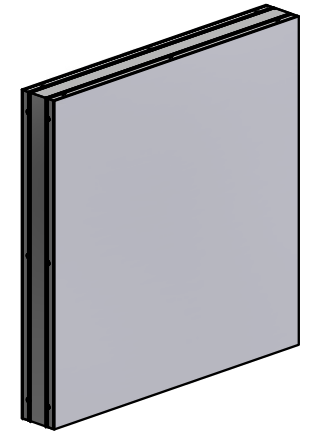
DRAWN	SBreihof	9/7/2012	SignComp
Centroid X:	0.000 in		
Centroid Y:	0.000 in		
Principal Moments Ix:	0.000 in ⁴		Series 3 - Access Body
Principal Moments Iy:	0.000 in ⁴		
Section Modulus Ix:	0.000 in ³		DWG NO
Section Modulus Iy:	0.000 in ³		K1290
			REV

PARTS LIST			
ITEM	PART#	DESCRIPTION	NOTES
1	K1290	Series 3 Access Body	Assembly
2	1693	Frameless Cover	Top & Bottom
3	1693	Frameless Cover	Sides
4	5210	Corner Key	
5		Aluminum Face	Routers off Flush to the Cover - By Other
74	5168	Frameless Cover Screw	#10 countersink

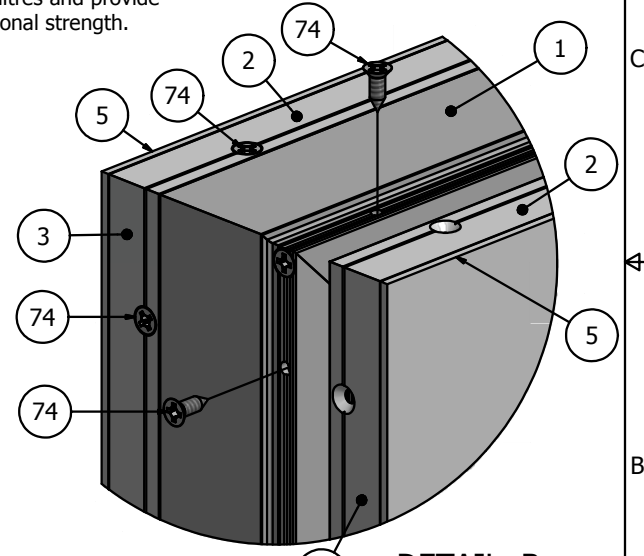
Ship To:
Sales Order#



CROSS-SECTION VIEW



DETAIL A



DETAIL B

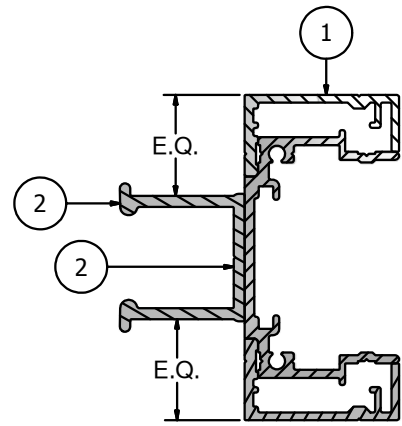
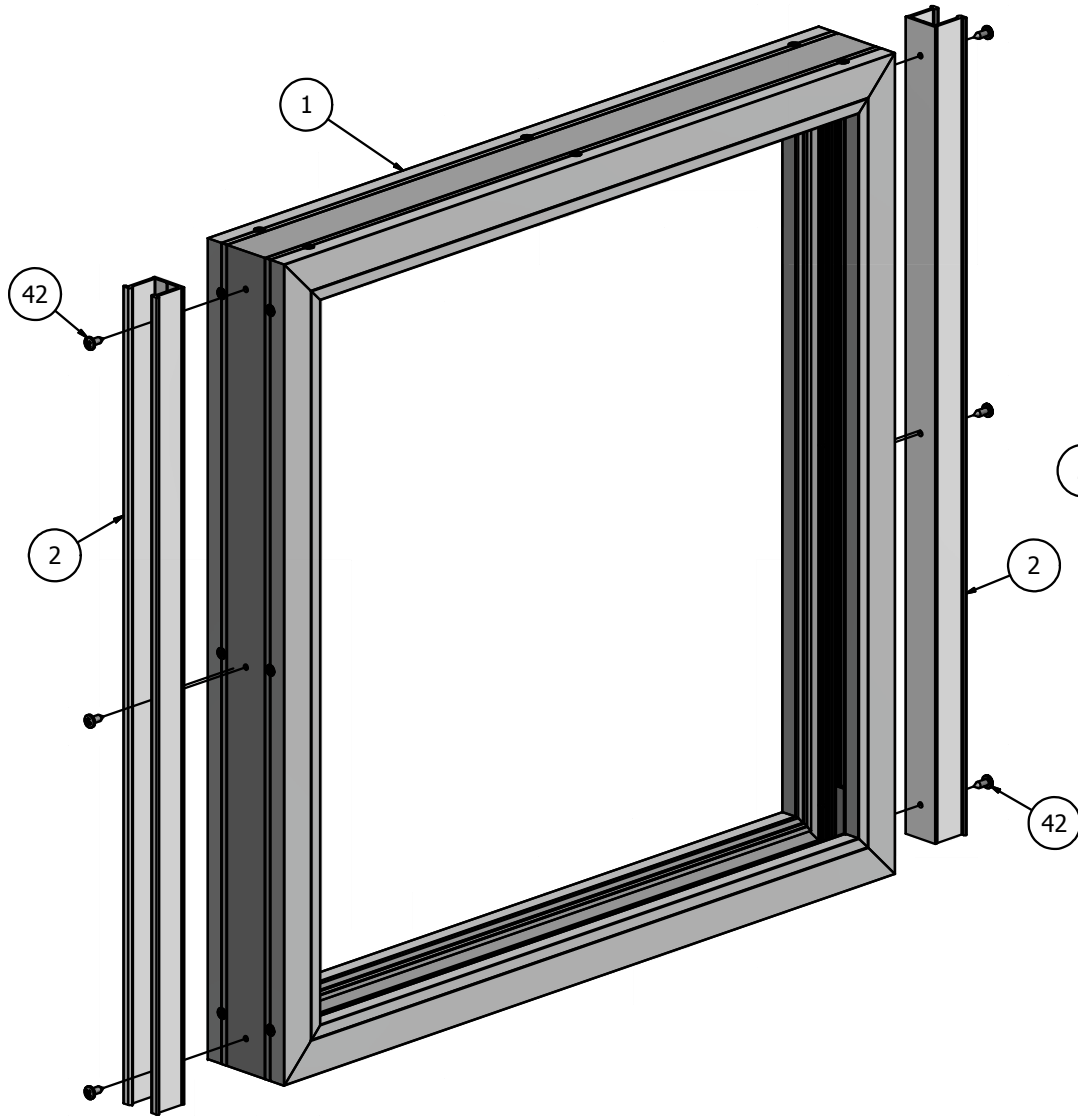
SURFACE THAT FACE IS BONDED TO.

NOTE: PRE-CUT KITS ARE NOT PRE-DRILLED.
(Holes shown in this drawing are for reference only.
Drilling of pilot holes are to be done by fabricator.)

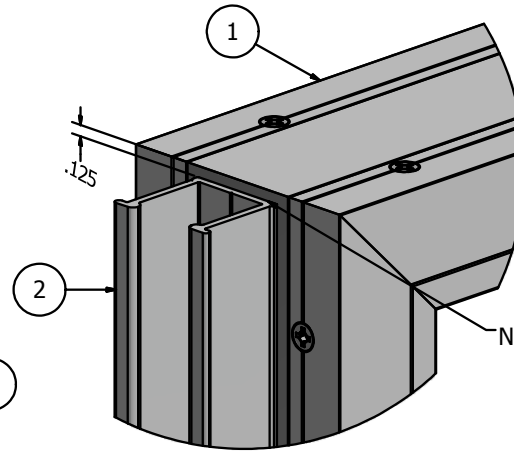
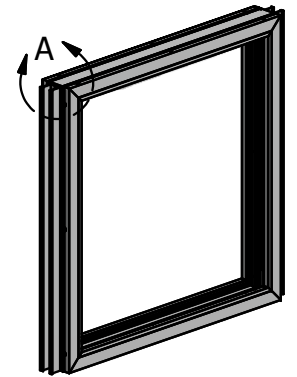
DRAWING BY: SBreihof 4/17/2013		<h1>SignComp</h1>
Centroid X: 0.000 in	TITLE	
Centroid Y: 0.000 in	Series 3 Access Body - Frameless Cover	
Principal Moments Ix: 0.000 in^4	PART NO	REV
Principal Moments Iy: 0.000 in^4	1290-93	
Section Modulus Ix: 0.000 in^3	SHEET 1 OF 1	
Section Modulus Iy: 0.000 in^3		

PARTS LIST			
ITEM	PART #	DESCRIPTION	NOTES
1	K1290/93	Series 3 Access Body/Frameless Cover	Assembly
2	1200	Series 2/3 Reveal	Attaches to the Body
42	5218	Reveal to Body Screw	Drill 5/32" pilot hole 12"oc

Ship To:
Sales Order#



VERTICAL SECTION VIEW



DETAIL A

NOTE: THE REVEAL IS PLACED $\frac{1}{8}$ " DOWN FROM THE TOP OF THE CABINET. THIS ALLOWS THE TOP OF THE CABINET TO BE FLUSH TO THE TOP OF THE POST CAP.

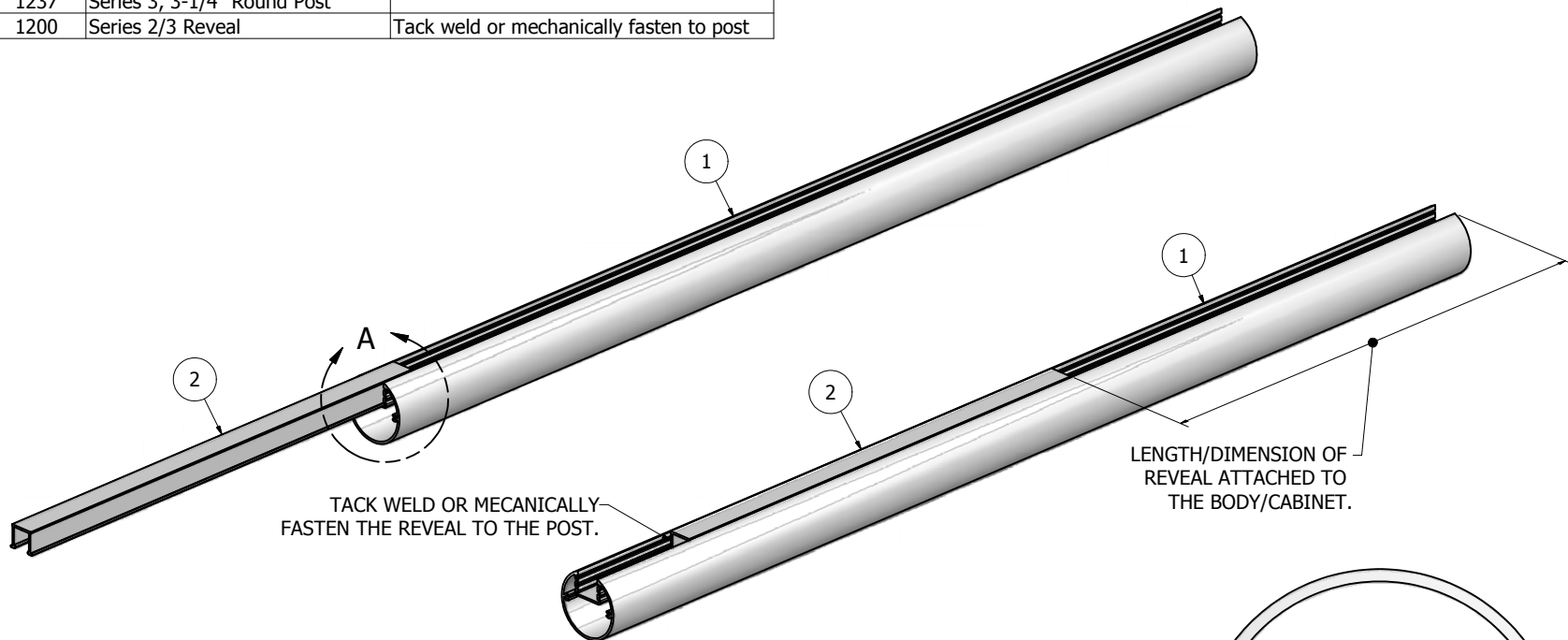
NOTE: PRE-CUT KITS ARE NOT PRE-DRILLED.
(Holes shown in this drawing are for reference only.
Drilling of pilot holes are to be done by fabricator.)

THIS DRAWING WAS CREATED AT NO CHARGE TO ASSIST YOU IN VISUALIZING OUR PROPOSAL. THE DRAWING HEREIN IS THE PROPERTY OF SIGNCOMP. PERMISSION TO COPY OR REVISE THIS DRAWING OR TO USE THIS DRAWING FOR PRODUCTION IS STRICTLY PROHIBITED AND CAN ONLY BE COPIED, REVISED OR USED FOR PRODUCTION WITH THE EXPRESSED WRITTEN PERMISSION OF SIGNCOMP.

DRAWING BY:	SBreihof	4/18/2013
Centroid X:	0.000 in	
Centroid Y:	0.000 in	
Principal Moments Ix:	0.000 in ⁴	
Principal Moments Iy:	0.000 in ⁴	
Section Modulus Ix:	0.000 in ³	
Section Modulus Iy:	0.000 in ³	

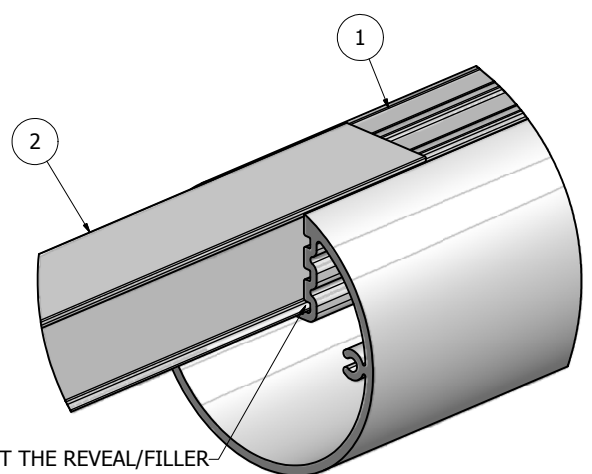
SignComp		TITLE
		Series 3 Access Body - Frameless Cover - Series 2/3 Reveal
PART NO	1290-93-00	REV
SHEET 1 OF 1		

Parts List			
ITEM	PART #	DESCRIPTION	NOTES
1	1237	Series 3, 3-1/4" Round Post	
2	1200	Series 2/3 Reveal	Tack weld or mechanically fasten to post



TACK WELD OR MECHANICALLY FASTEN THE REVEAL TO THE POST.

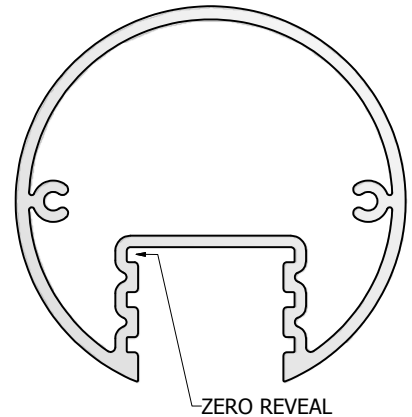
LENGTH/DIMENSION OF REVEAL ATTACHED TO THE BODY/CABINET.



INSERT THE REVEAL/FILLER INTO THE ZERO REVEAL POSITION. SLIDED IT UP INTO THE POST.

DETAIL A

Ship To:
Order Number:



NOTE: PRE-CUT KITS ARE NOT PRE-DRILLED.
(Holes shown in this drawing are for reference only. Drilling of pilot holes are to be done by fabricator.)

THIS DRAWING WAS CREATED AT NO CHARGE TO ASSIST YOU IN VISUALIZING OUR PROPOSAL. THE DRAWING HEREIN IS THE PROPERTY OF SIGNCOMP. PERMISSION TO COPY OR REVISE THIS DRAWING OR TO USE THIS DRAWING FOR PRODUCTION IS STRICTLY PROHIBITED AND CAN ONLY BE COPIED, REVISED OR USED FOR PRODUCTION WITH THE EXPRESSED WRITTEN PERMISSION OF SIGNCOMP.

DRAWN	4/5/2010	SignComp	
CHECKED			
QA		TITLE	
MFG		Series 3, 3-1/4" Round Post - Serires 2/3 Reveal - Assembly	
APPROVED		SIZE	DWG NO
		C	1237-00
		SCALE	SHEET 1 OF 1